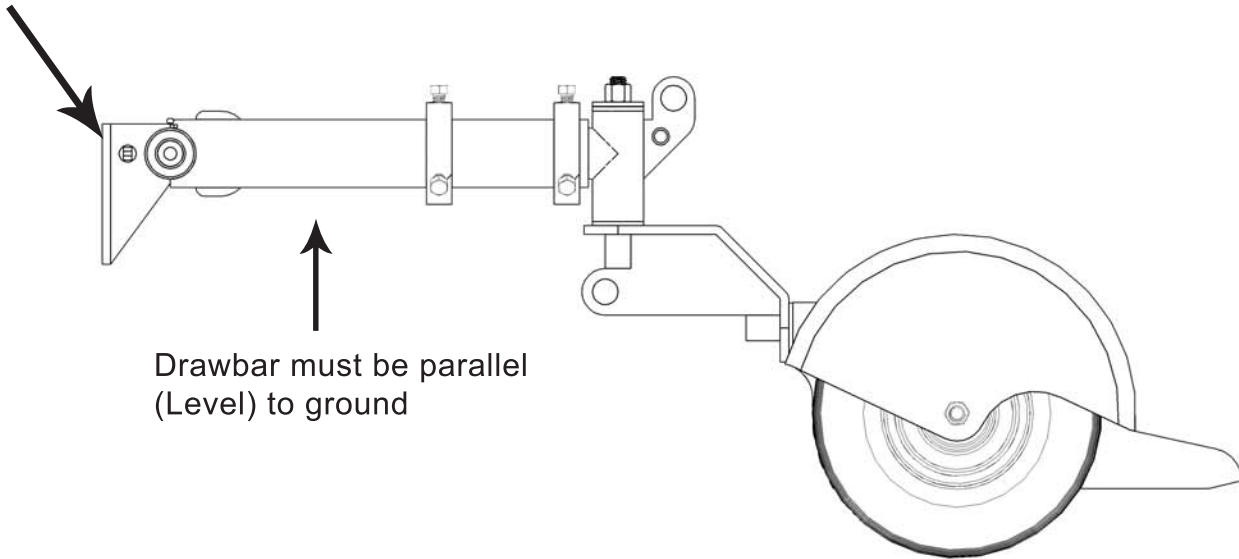
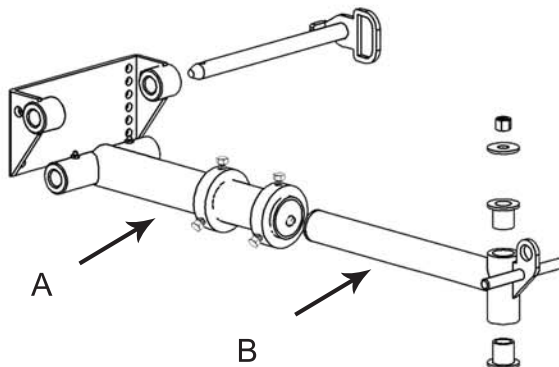


Two Wheel Sulky Instructions

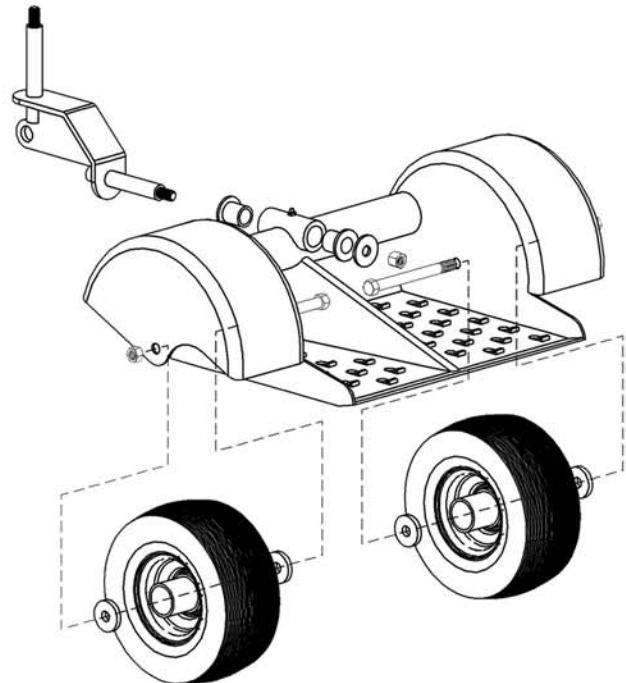
Swivel Bracket mounts to
back of mower, raise or
lower to level drawbar



Drawbar must be parallel
(Level) to ground



Adjustable Drawbar
Slide Part B Into Part A
And tighten **all** bolts
evenly



Green Touch Industries, Inc.
100 Federal Hwy 1
West Palm Beach FL 33403
(800) 621-6919
(561) 659-5525

www.greentouch.com

Parts Breakdown

