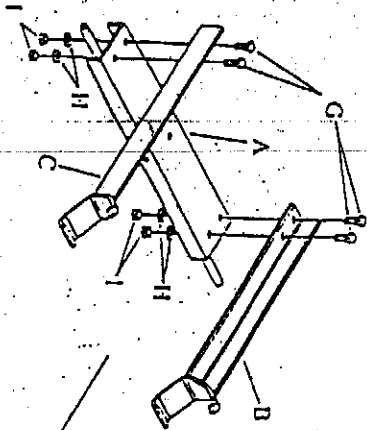


SUPER JACK

ASSEMBLY INSTRUCTIONS

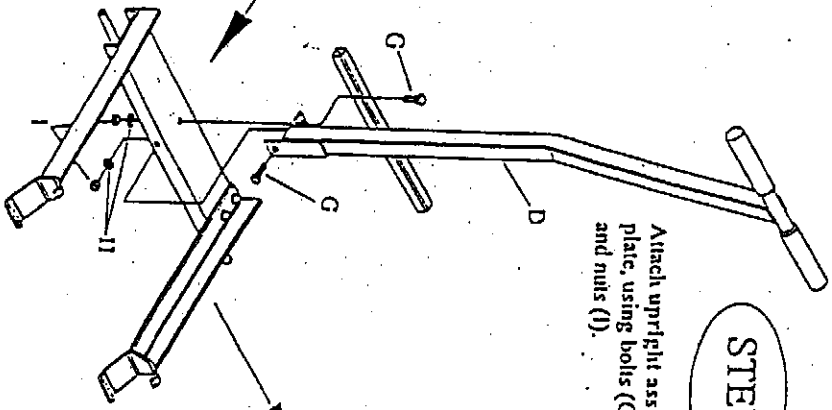
STEP 1

Orient base plate (A) as shown in illustration. Attach arms (B & C) to base plate, using bolts (G), lock washers (H), and nuts (I).



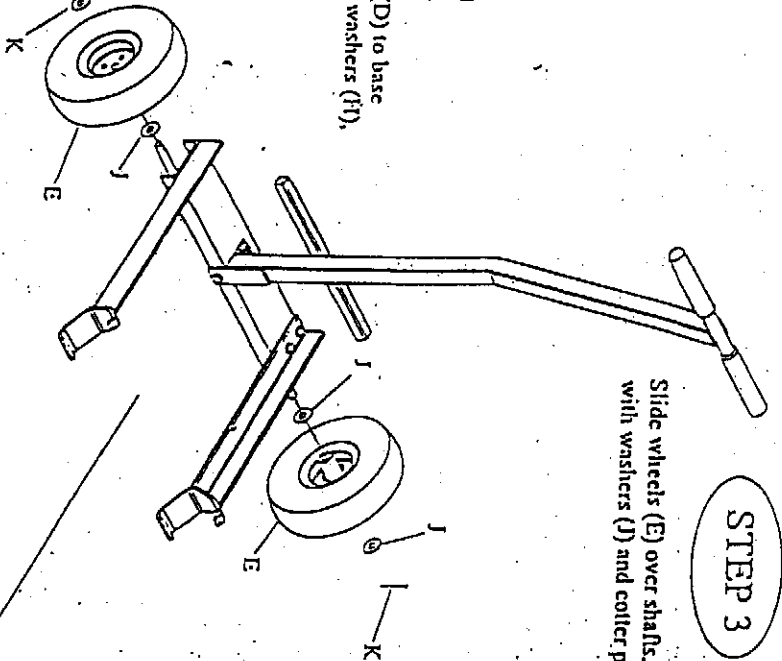
STEP 2

Attach upright assembly (D) to base plate, using bolts (G), lock washers (H), and nuts (I).



STEP 3

Slide wheels (E) over shafts. Secure with washers (J) and cotter pin (K).



ASSEMBLY IS COMPLETE

PARTS LIST

SUPER JACK PARTS	
SOFT PARTS	HARDWARE
A - BASE PLATE	G - BOLT (6)
B - ARM ASSEMBLY (2)	H - 1/2" LOCK WASHER (6)
C - ARM ASSEMBLY (2)	I - NUT (6)
D - UPRIGHT ASSEMBLY	J - WASHER (4)
E - WHEEL (2)	K - COTTER PIN (2)

